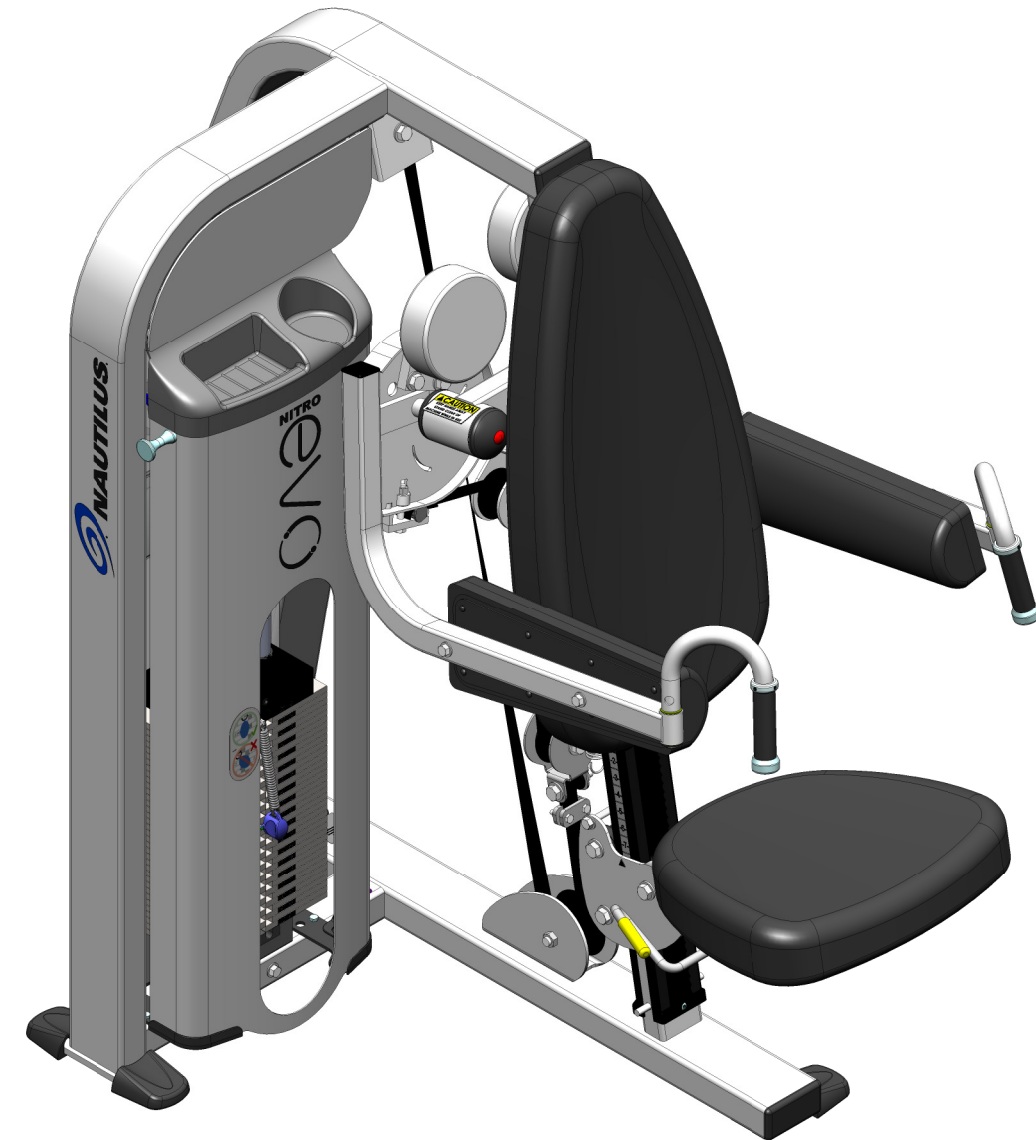




Red: PAINTED ITEMS
Blue: KITS

1. All labeled components are to be assembled before shipment unless otherwise noted.
2. All bearings are to be pressed in with force applied to outer ring only.
3. All hardware to be torqued to specs listed in chart below.
4. Special notes if any are shown below.

PART NO.	QTY.	DESCRIPTION	PART NO.	QTY.	DESCRIPTION
01-0011	1	1/2 -13 UNC x 3 Bolt	09-1004	1	.500 ID X 3" CLOSED END
01-1115	6	3/8 -16 UNC x 2 1/2 Bolt	09-1023	2	HAND GRIP OPEN ENDS
01-1185	2	3/8 -16 UNC x 3 1/2 Bolt	09-2020	2	1 1/2 SQ 11 GA FRAME PLUG
01-1282	4	1/2 -13 UNC x 1 1/2 Bolt	09-3055	3	2 X 4 11 GA FRAME PLUG
01-1321	2	1/2 -13 UNC x 2 1/2 Bolt	09-3064	2	1/2" DIA HOLE PLUG
01-1331	3	1/2 -13 UNC x 2 3/4 Bolt	09-3072	1	3/8" DIA HOLE PLUG
01-1553	1	3/8 -16 UNC x 4 1/2 Bolt	09-5046	4	Nitro Plus Footpad
01-1564	3	1/2 -13 UNC x 4 1/2 Bolt	09-8000	2	Belt Keeper
01-4035	4	1/4 -20 UNC x 1 1/4 Wiz Lock Bolt	09-8018	2	GUIDE ROD BUSHING
01-4038	1	BOLT BH , 1/2 -13 x 2 1/2"	09-8323	4	2" MOLDED PULLEY
02-1060	2	BOLT BH , 1/4 -20 x 2 1/4"	09-8329	1	WIDE PULLEY 3" DIA
02-2290	2	1/4 -20 UNC x 1 1/4" FLAT HEAD SC SCREW SS	09-8330	1	REDIRECTIONAL PULLEY 4"
02-4129	4	SCREW, SET, 1/4 -20 UNC x 1/4	09-8990	1	MOLDED BELT ROLLER
02-9210	2	3/8 -16 UNC x 1 Bolt	09-9007	2	Sleeve
02-9250	2	3/8 -16 UNC x 2 1/4 Bolt	09-9505	2	GRIP CAP 1.030 ID (FOR 1" BAR)
03-1035	3	3/8" Lock Nut	09-9535	2	GRIP RING 1.045 ID (FOR 1" BAR)
03-1055	13	1/2" Nylon Insert Lock Nut-Thin	09-9590	2	TUBE INSERT .760 ID PN3043-4-1
03-4290	4	1/4" Whiz Nut	10-1022	1	Extension Spring
03-5101	2	1/4" Hex Nut	10-1025	1	SPRING, TORSION
03-5103	2	3/8" Hex Nut	12-1001	1	SEAT INDICATOR BLACK
04-2015	2	WASHER, FLAT, 1/4" SAE Black	12-1026	2	DECAL, KEEP HANDS AWAY
04-5206	13	WASHER, FLAT, 3/8" SAE	12-1104	1	SEAT ADJUSTMENT DECAL 1-11
04-5207	13	WASHER, FLAT, 1/2" SAE	12-1146	1	SEAT ADJ DECAL 1
05-5105	2	.500 ID Bushing (IGUS Replacement)	12-1155	2	CLIP RED PINE TREE CUT OFF
06-8160	2	Snap Ring, 3/4" External	12-1380	1	DECAL PATENT MEDFIT MADE IN USA
06-8180	1	Snap Ring, 1/2" External	12-5611	1	Nautilus Transfer Decal - Large BLACK
06-8275	6	Snap Ring, 17mm Heavy External	12-6046	1	Made In USA - Seat Frames
07-5032	1	SEAT TRACK	12-6057	1	PLACARD & SHIELD FRONT S9LR
07-5033	1	SEAT TRACK BACK	12-6074	1	PLACARD & SHIELD BACK S9IP, S9LTP, S9LR, S9OP, S9PF
07-5034	3	SEAT ROLLERS	12-6125	1	Decal, Parts Diagram EVO LRPH
07-5064	6	6203 RADIAL BEARING	12-7050	1	EVO Weight Selector Pin Decal
07-8230	1	STANDARD SEAT CLEVIS PIN	17-1260	2	STANDARD 45" GUIDE ROD
07-8359	2	IDLER PULLEY SPACER	18-0006 (67")	1	MECTROL BELT 1" (67")
07-8363	2	IDLER PULLEY SPACER	18-0018 (111")	1	BELT MECTROL 111" Length
07-8686	1	STANDARD SEAT 0 degree	19-1013	4	TAPE DBL SIDED 2 3/4" WIDE
07-8982	4	STRAP CLAMP END (5/16 HOLES)	19-1291	1	SERIAL NO. DECAL
07-9269	1	WEIGHTSTACK SPACER	32-0001	1	PAD SEAT STANDARD "ONE" CONTOURED
07-9376	3	SEAT ROLLER SLEEVE	32-0022	1	UPH. PAD BACK LONG
07-9760	8	IDLER PULLEY SPACER	45-1052	4	.755 ID BUSHING (IGUS REPLACEMENT)
07-9850	4	1" BEARING MOLDED FLANGE	57-0611	1	Pocket, Peel & Stick, Cardio Schematic
07-9873	2	MOLDED BEARING CAP WITH HOLE	91-999	1	Paint (1.5 lbs)
07-9902	1	TRAVEL PULLEY MOUNT	95-0470	1	Kit 1, EVO Shields
07-9944	2	MOLDED BEARING CAP, T1 SERIES	BF606B	1	LR BACK FRAME
			CW600B	2	LR COUNTERWEIGHT ASSEMBLY
			HB602	2	LR2000 Handle Assy
			LK631	2	BELT CLAMP
			MA610	1	LEFT S3LR MOVEMENT ARM
			MA611	1	RIGHT S3LR MOVEMENT ARM
			OPT-WT-26	1	EVO 200 lb Weight System
			SE613	1	RELEASE HANDLE
			UP9015	2	LATERAL RAISE ARM PAD



**EVO LATERAL RAISE
with Pivoting Handles
S9LRPH**

Bolt Torque Specifications	Grade 8	
	Grade 5	Grade 8
Size	Torque (ft-lbs)	Torque (ft-lbs)
1/4-20	8	12
1/4-28	10	14
5/16-18	17	25
3/8-16	30	45
7/16-14	50	70
1/2-13	75	110
1/2-20	90	120
5/8-11	150	220
5/8-18	180	240

Customer Service & Parts 800/ 235-2233
General Parts Requests: parts@medfitsys.com
Warranty Field Service Requests: servicerequest@medfitsys.com
Med-Fit Systems, Inc. 800/ 831-7665

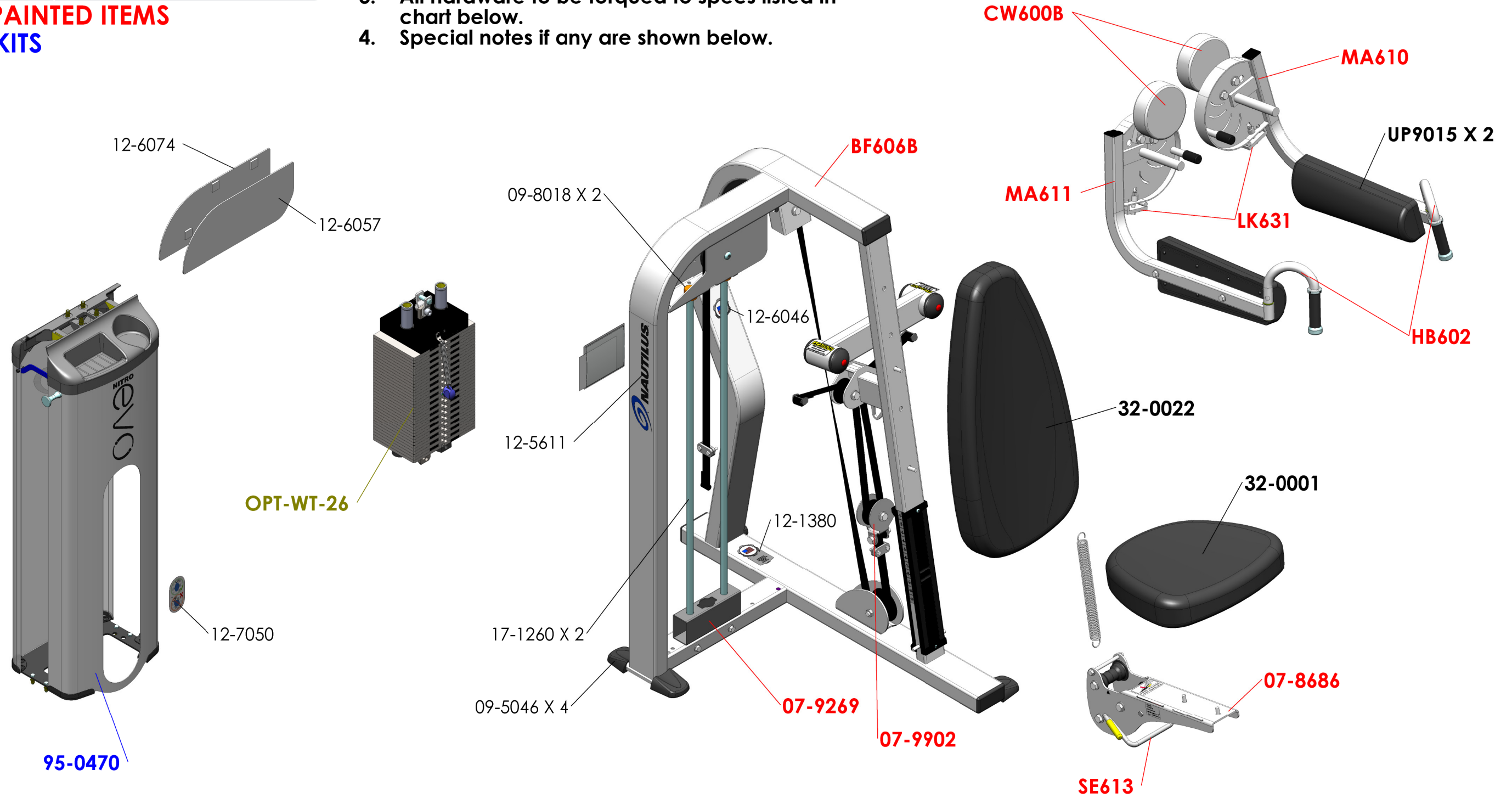
www.medfitsystems.com

REV F



1. All labeled components are to be assembled before shipment unless otherwise noted.
2. All bearings are to be pressed in with force applied to outer ring only.
3. All hardware to be torqued to specs listed in chart below.
4. Special notes if any are shown below.

Red: PAINTED ITEMS
Blue: KITS



**EVO LATERAL RAISE
with Pivoting Handles
S9LRPH**

Customer Service & Parts 800/ 235-2233
General Parts Requests: parts@medfitsys.com
Warranty Field Service Requests: servicerequest@medfitsys.com
Med-Fit Systems, Inc. 800/ 831-7665

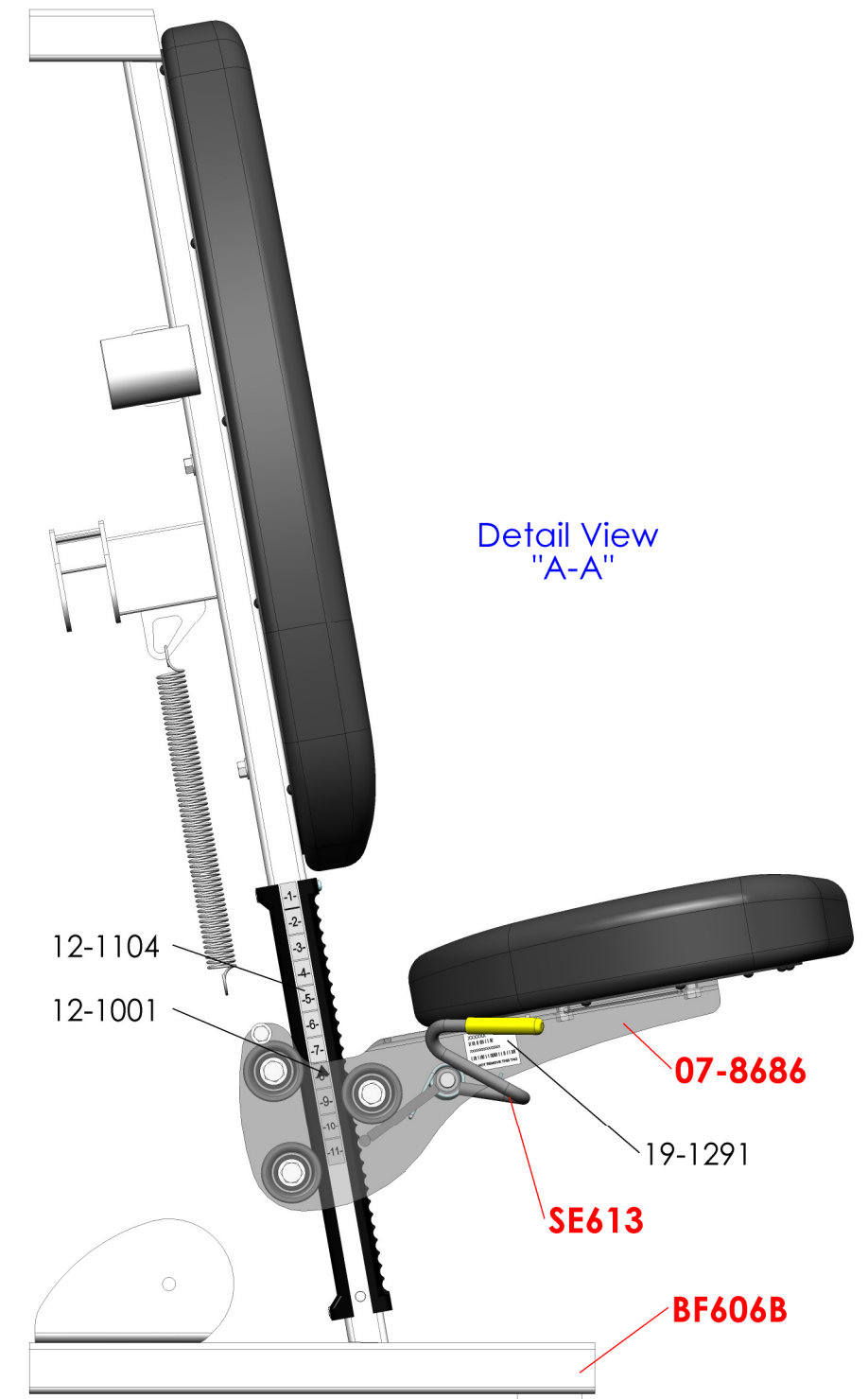
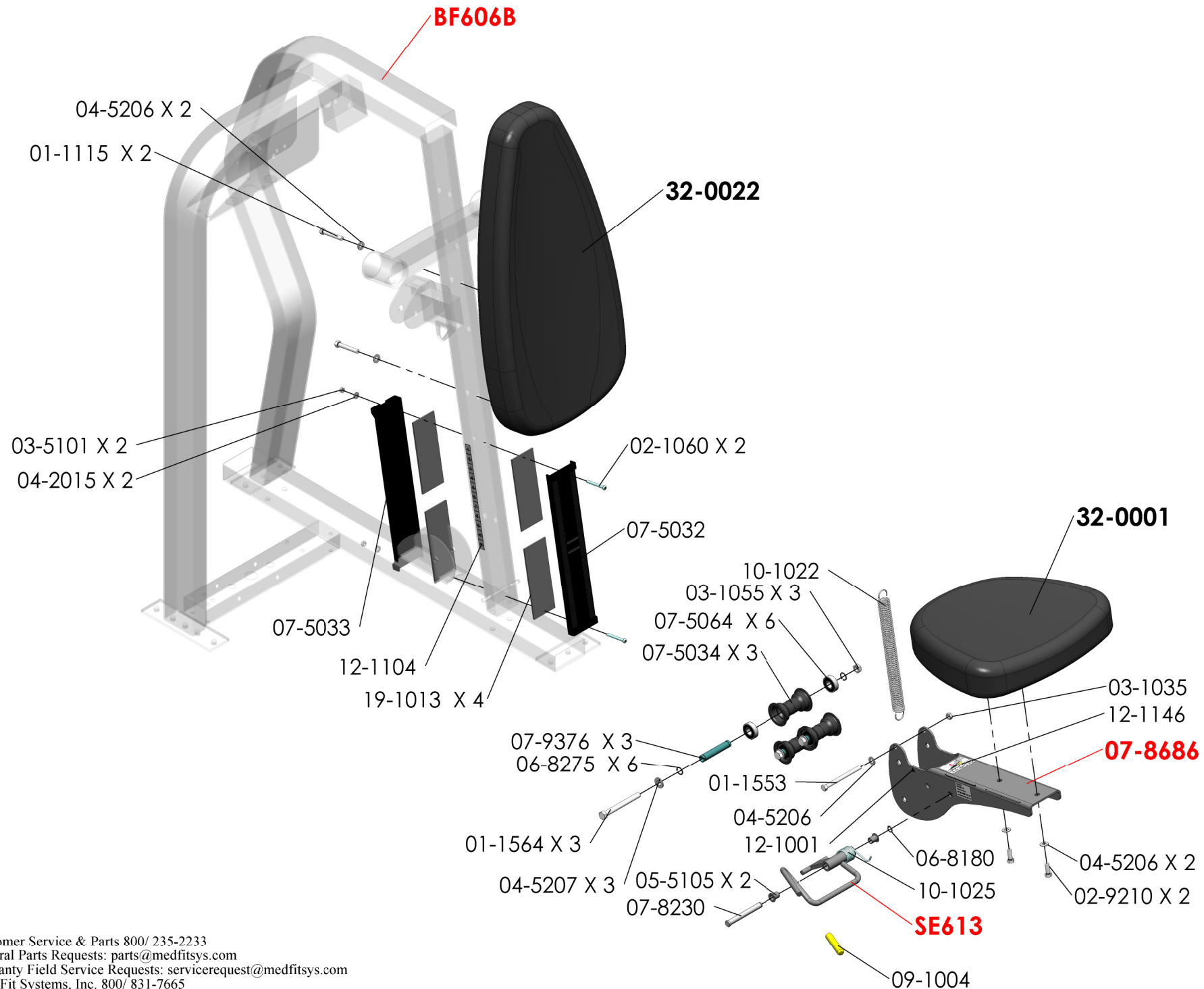
www.medfitsystems.com

REV F



Red: PAINTED ITEMS
Blue: KITS

1. All labeled components are to be assembled before shipment unless otherwise noted.
2. All bearings are to be pressed in with force applied to outer ring only.
3. All hardware to be torqued to specs listed in chart below.
4. Special notes if any are shown below.



Customer Service & Parts 800/ 235-2233
 General Parts Requests: parts@medfitsys.com
 Warranty Field Service Requests: servicerequest@medfitsys.com
 Med-Fit Systems, Inc. 800/ 831-7665

www.medfitsystems.com

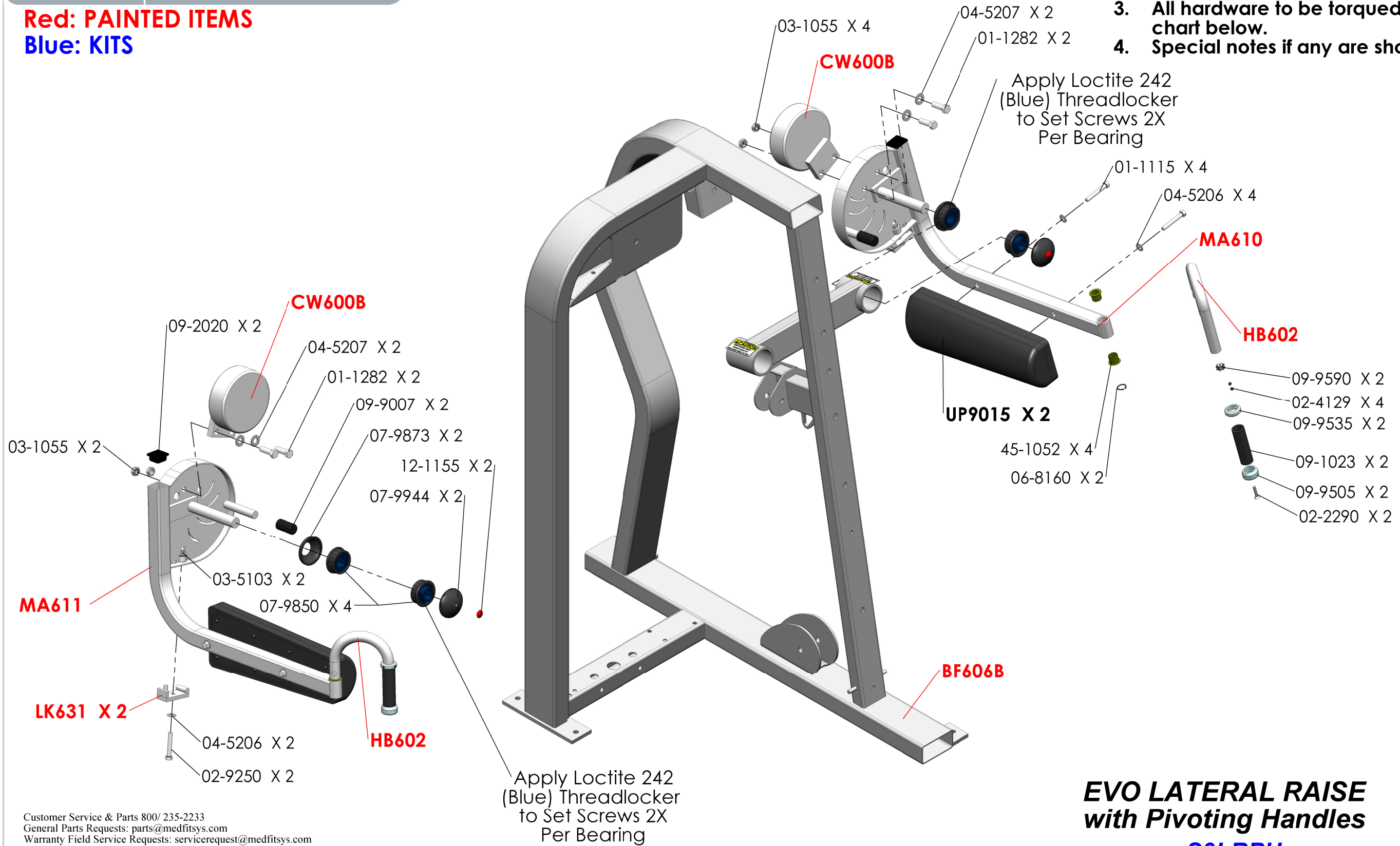
EVO LATERAL RAISE
with Pivoting Handles
S9LRPH

REV F



Red: PAINTED ITEMS
Blue: KITS

1. All labeled components are to be assembled before shipment unless otherwise noted.
2. All bearings are to be pressed in with force applied to outer ring only.
3. All hardware to be torqued to specs listed in chart below.
4. Special notes if any are shown below.



**EVO LATERAL RAISE
with Pivoting Handles
S9LRPH**

Bolt Torque Specifications		
Size	Grade 5	Grade 8
	Torque (ft-lbs)	Torque (ft-lbs)
1/4-20	8	12
1/4-28	10	14
5/16-18	17	25
3/8-16	30	45
7/16-14	50	70
1/2-13	75	110
1/2-20	90	120
5/8-11	150	220
5/8-18	180	240

Customer Service & Parts 800/ 235-2233
General Parts Requests: parts@medfitsys.com
Warranty Field Service Requests: servicerequest@medfitsys.com
Med-Fit Systems, Inc. 800/ 831-7665

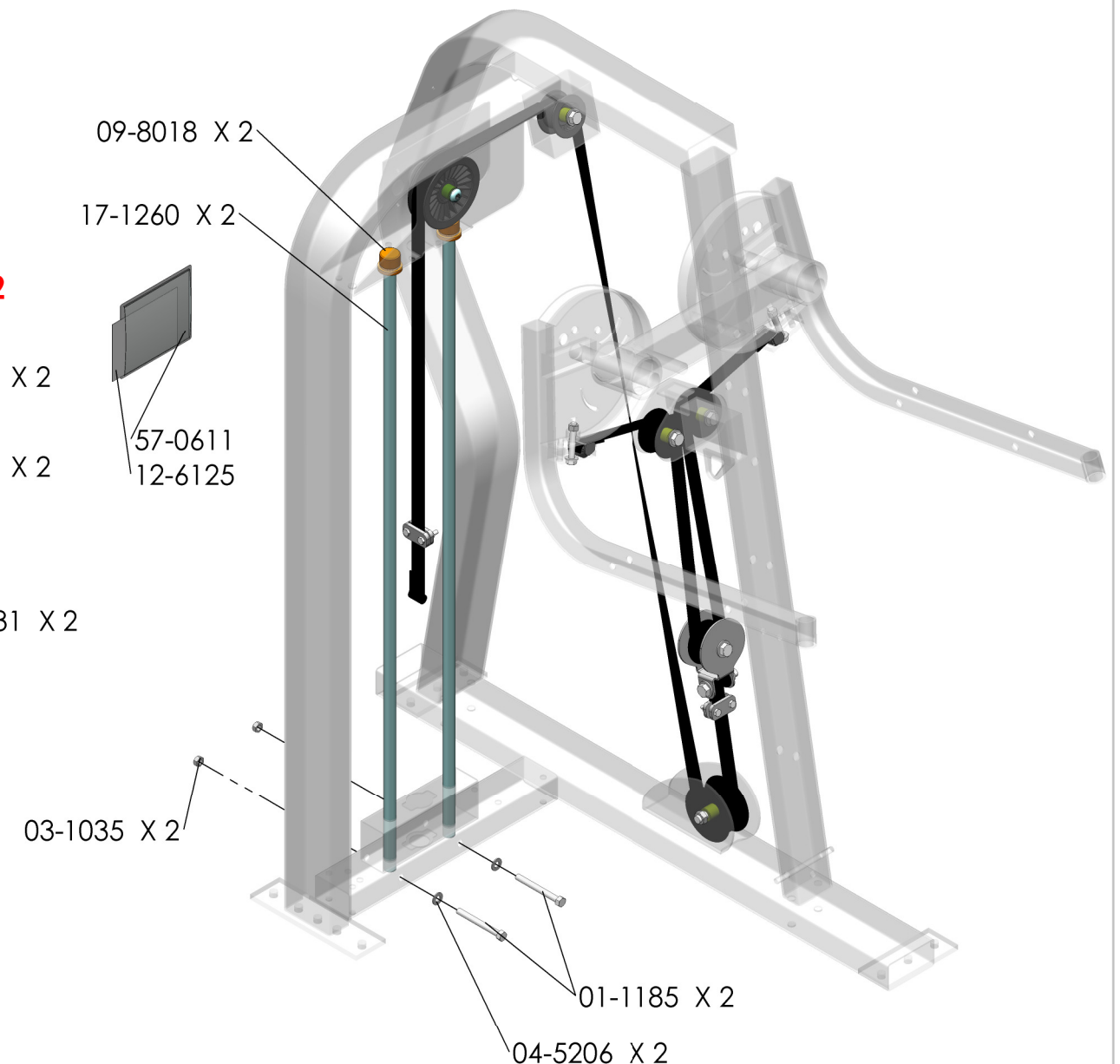
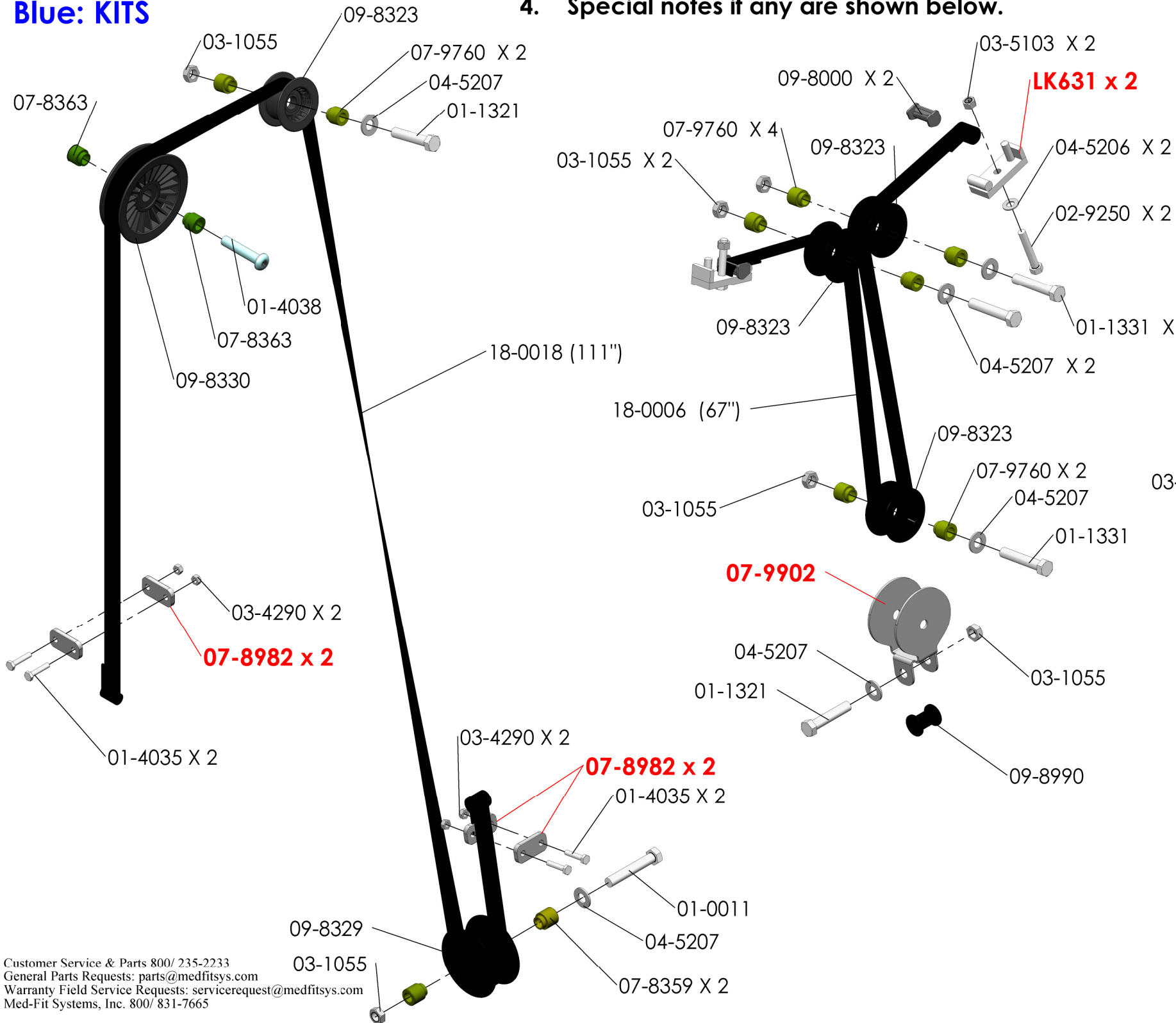
www.medfitsystems.com

REV F



Red: PAINTED ITEMS
Blue: KITS

1. All labeled components are to be assembled before shipment unless otherwise noted.
2. All bearings are to be pressed in with force applied to outer ring only.
3. All hardware to be torqued to specs listed in chart below.
4. Special notes if any are shown below.



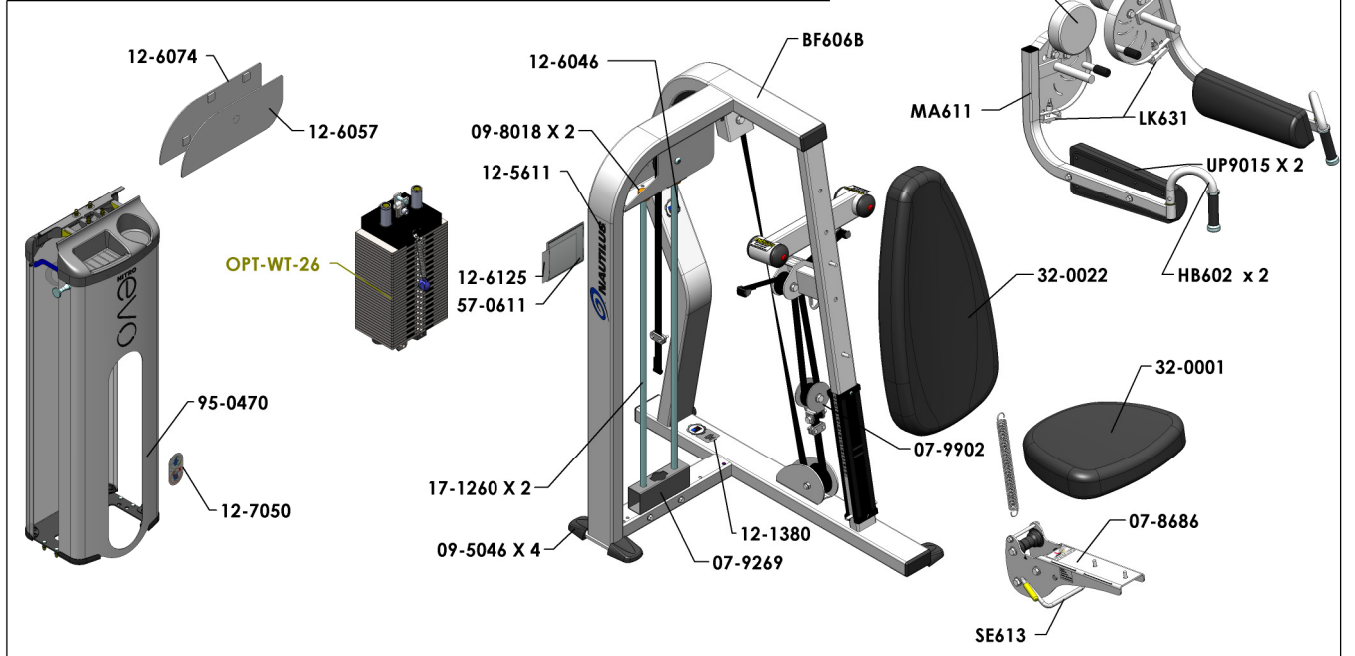
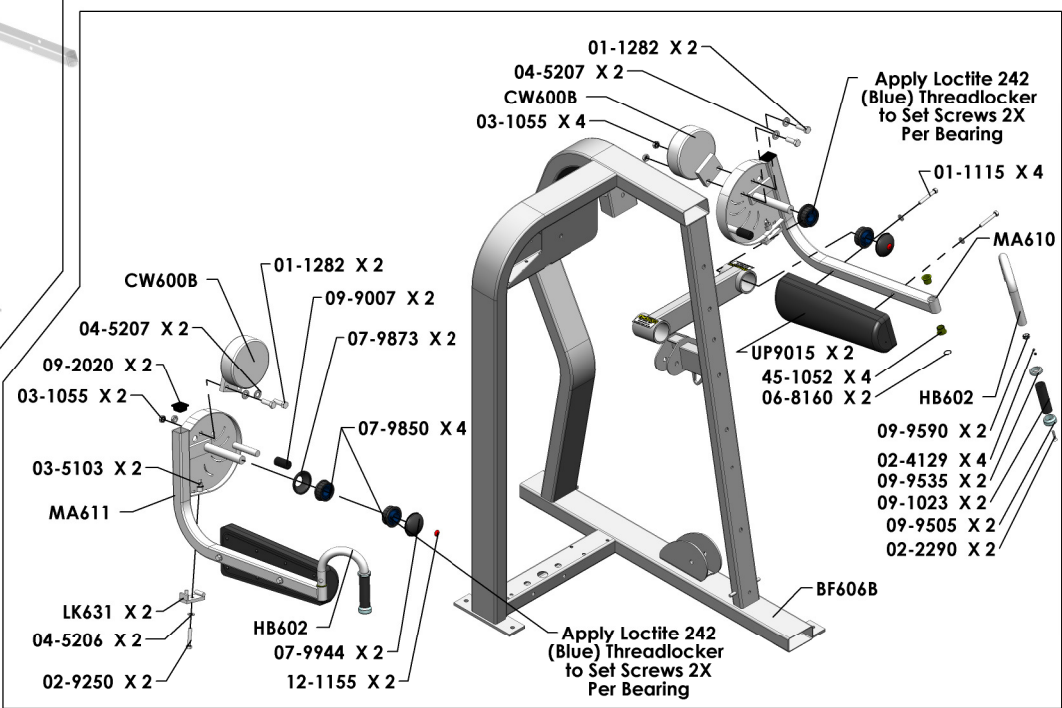
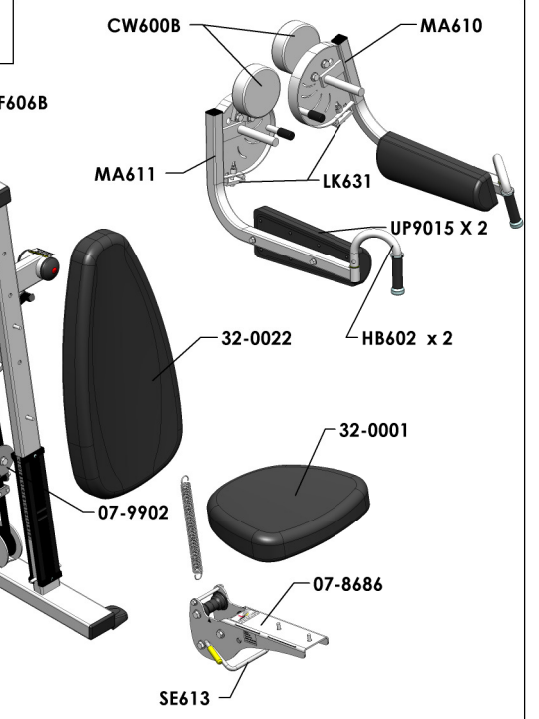
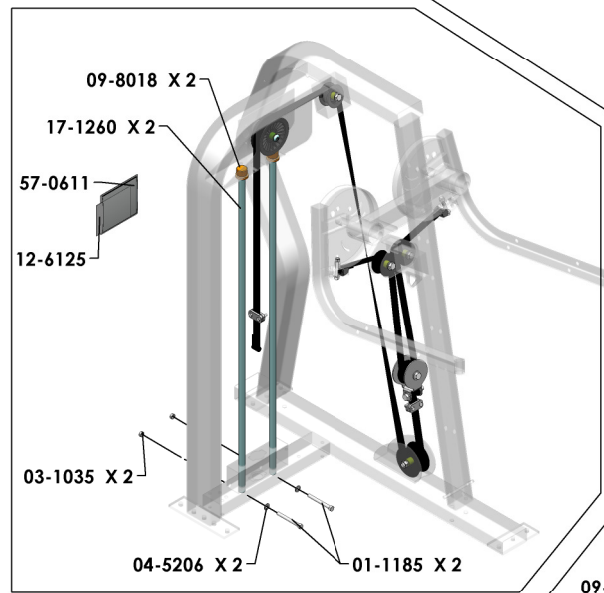
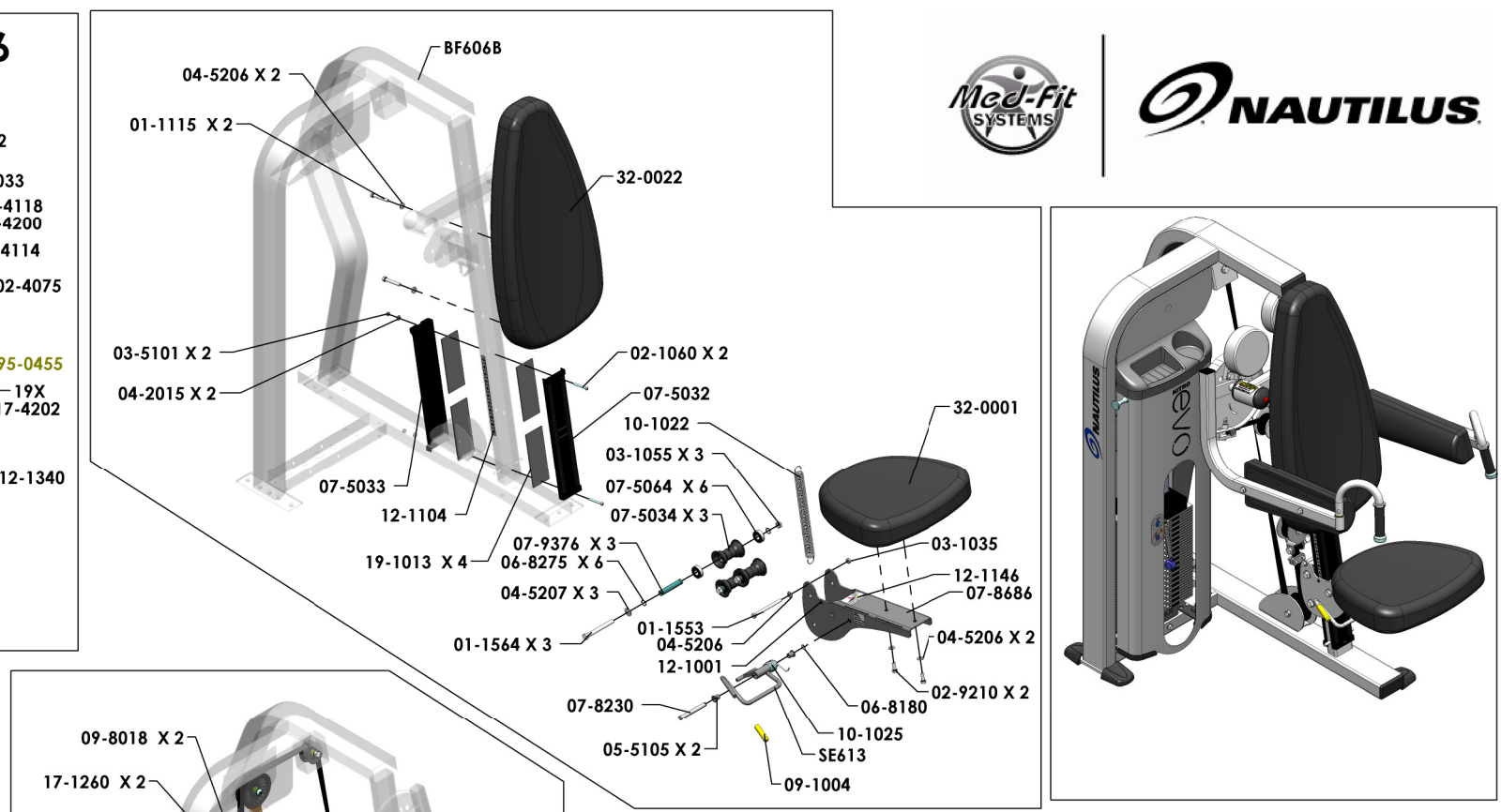
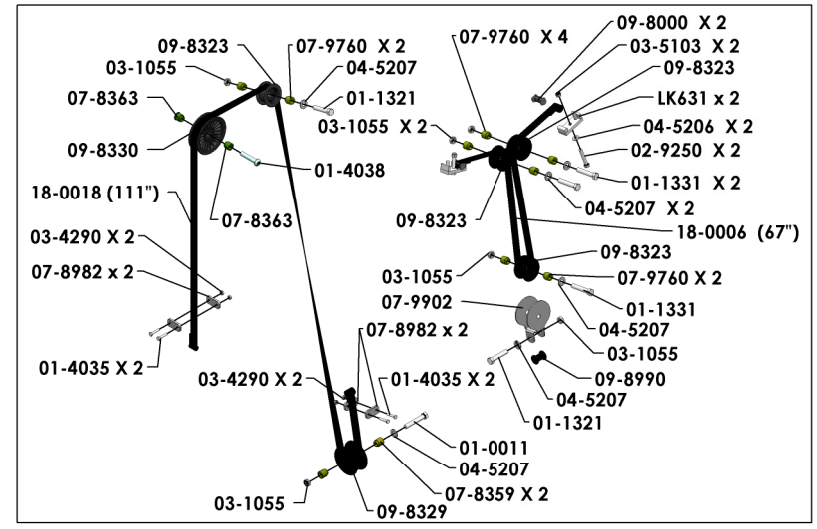
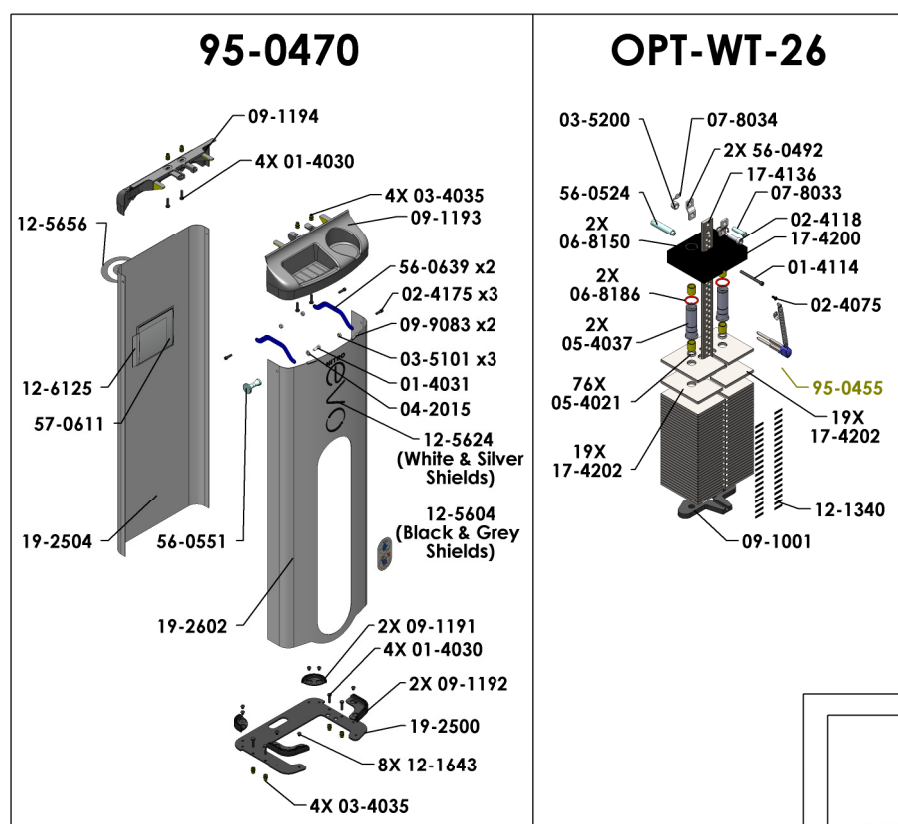
Customer Service & Parts 800/ 235-2233
 General Parts Requests: parts@medfitsys.com
 Warranty Field Service Requests: servicerequest@medfitsys.com
 Med-Fit Systems, Inc. 800/ 831-7665

www.medfitsystems.com

EVO LATERAL RAISE
with Pivoting Handles
S9LRPH

REV F

Number	QTY.	DESCRIPTION
01-0011	1	1/2 -13 UNC x 3 Bolt
01-1115	6	3/8 -16 UNC x 2 1/2 Bolt
01-1185	2	3/8 -16 UNC x 3 1/2 Bolt
01-1282	4	1/2 -13 UNC x 1 1/2 Bolt
01-1321	2	1/2 -13 UNC x 2 1/2 Bolt
01-1331	3	1/2 -13 UNC x 2 3/4 Bolt
01-1553	1	3/8 -16 UNC x 4 1/2 Bolt
01-1564	3	1/2 -13 UNC x 4 1/2 Bolt
01-4035	4	1/4 -20 UNC x 1 1/4 Wiz Lock Bolt
01-4038	1	BOLT BH, 1/2 -13 x 2 1/2"
02-1060	2	BOLT BH, 1/4 -20 x 2 1/4"
02-2290	2	1/4 -20 UNC x 1 1/4" FLAT HEAD SC SCREW SS
02-4129	4	SCREW, SET, 1/4 -20 UNC x 1/4
02-9210	2	3/8 -16 UNC x 1 Bolt
02-9250	2	3/8 -16 UNC x 2 1/4 Bolt
03-1035	3	3/8" Lock Nut
03-1055	13	1/2" Nylon Insert Lock Nut-Thin
03-4290	4	1/4" Whiz Nut
03-5101	2	1/4" Hex Nut
03-5103	2	3/8" Hex Nut
04-2015	2	WASHER, FLAT, 1/4" SAE Black
04-5206	13	WASHER, FLAT, 3/8" SAE
04-5207	13	WASHER, FLAT, 1/2" SAE
05-5105	2	.500 ID Bushing (IGUS Replacement)
06-8160	2	Snap Ring, 3/4" External
06-8180	1	Snap Ring, 1/2" External
06-8275	6	Snap Ring, 17mm Heavy External
07-5032	1	SEAT TRACK
07-5033	1	SEAT TRACK BACK
07-5034	3	SEAT ROLLERS
07-5064	6	6203 RADIAL BEARING
07-8230	1	STANDARD SEAT CLEVIS PIN
07-8359	2	IDLER PULLEY SPACER
07-8363	2	IDLER PULLEY SPACER
07-8686	1	STANDARD SEAT 0 degree
07-8982	4	STRAP CLAMP END (5/16 HOLES)
07-9269	1	WEIGHTSTACK SPACER
07-9376	3	SEAT ROLLER SLEEVE
07-9760	8	IDLER PULLEY SPACER
07-9850	4	1" BEARING MOLDED FLANGE
07-9873	2	MOLDED BEARING CAP WITH HOLE
07-9902	1	TRAVEL PULLEY MOUNT
07-9944	2	MOLDED BEARING CAP, TI SERIES
09-1004	1	.500 ID X 3" CLOSED END
09-1023	2	HAND GRIP OPEN ENDS
09-2020	2	1 1/2 SQ 11 GA FRAME PLUG
09-3055	3	2 X 4 11 GA FRAME PLUG
09-3064	2	1/2" DIA HOLE PLUG
09-3072	1	3/8" DIA HOLE PLUG
09-5046	4	Nitro Plus Footpad
09-8000	2	Belt Keeper
09-8018	2	GUIDE ROD BUSHING
09-8323	4	2" MOLDED PULLEY
09-8329	1	WIDE PULLEY 3" DIA
09-8330	1	REDIRECTIONAL PULLEY 4"
09-8990	1	MOLDED BELT ROLLER
09-9007	2	Sleeve
09-9505	2	GRIP CAP 1.030 ID (FOR 1" BAR)
09-9535	2	GRIP RING 1.045 ID (FOR 1" BAR)
09-9590	2	TUBE INSERT .760 ID PN3043-4-1
10-1022	1	Extension Spring
10-1025	1	SPRING, TORSION
12-1001	1	SEAT INDICATOR BLACK
12-1026	2	DECAL, KEEP HANDS AWAY
12-1104	1	SEAT ADJUSTMENT DECAL 1-11
12-1146	1	SEAT ADJ DECAL 1
12-1155	2	CLIP RED PINE TREE CUT OFF
12-1380	1	DECAL PATENT MEDFIT MADE IN USA
12-5611	1	Nautilus Transfer Decal - Large BLACK
12-6046	1	Made In USA - Seat Frames
12-6057	1	PLACARD & SHIELD FRONT S9LR
12-6074	1	PLACARD & SHIELD BACK S9IP, S9LATP, S9LR, S9OP, S9PF
12-6125	1	Decal, Parts Diagram EVO LRPH
12-7050	1	EVO Weight Selector Pin Decal
17-1260	2	STANDARD 45" GUIDE ROD
18-0006 (67")	1	MECTROL BELT 1" (67")
18-0018 (111")	1	BELT MECTROL 111" Length
19-1013	4	TAPE DBL SIDED 2 3/4" WIDE
19-1291	1	SERIAL NO. DECAL
32-0001	1	PAD SEAT STANDARD "ONE" CONTOURED
32-0022	1	UPH. PAD BACK LONG
45-1052	4	.755 ID BUSHING (IGUS REPLACEMENT)
57-0611	1	Pocket, Peel & Stick, Cardio Schematic
91-999	1	Paint (1.5 lbs)
95-0470	1	Kit 1, EVO Shields
BF606B	1	LR BACK FRAME
CW600B	2	LR COUNTERWEIGHT ASSEMBLY
HB602	2	LR2000 Handle Assy
LK631	2	BELT CLAMP
MA610	1	LEFT S3LR MOVEMENT ARM
MA611	1	RIGHT S3LR MOVEMENT ARM
OPT-WT-26	1	EVO 200 lb Weight System
SE613	1	RELEASE HANDLE
UP9015	2	LATERAL RAISE ARM PAD



EVO LATERAL RAISE with Pivoting Handles S9LRPH

Customer Service & Parts 800/ 235-2233
 General Parts Requests: parts@medfitsys.com
 Warranty Field Service Requests: servicerequest@medfitsys.com
 Med-Fit Systems, Inc. 800/ 831-7665

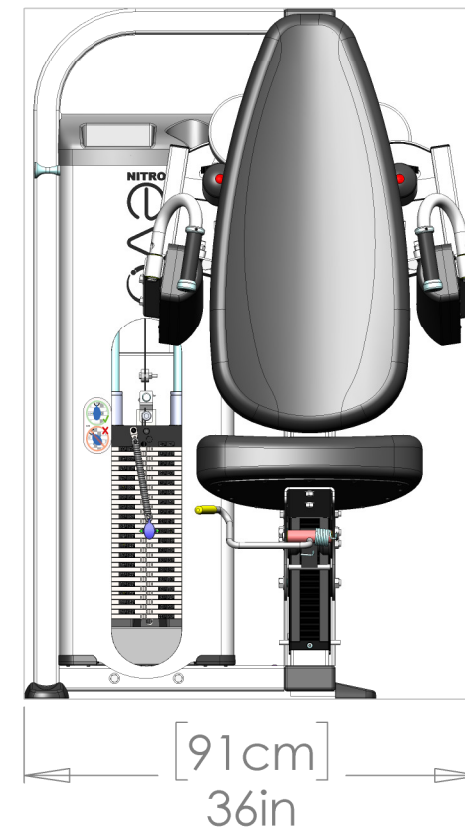
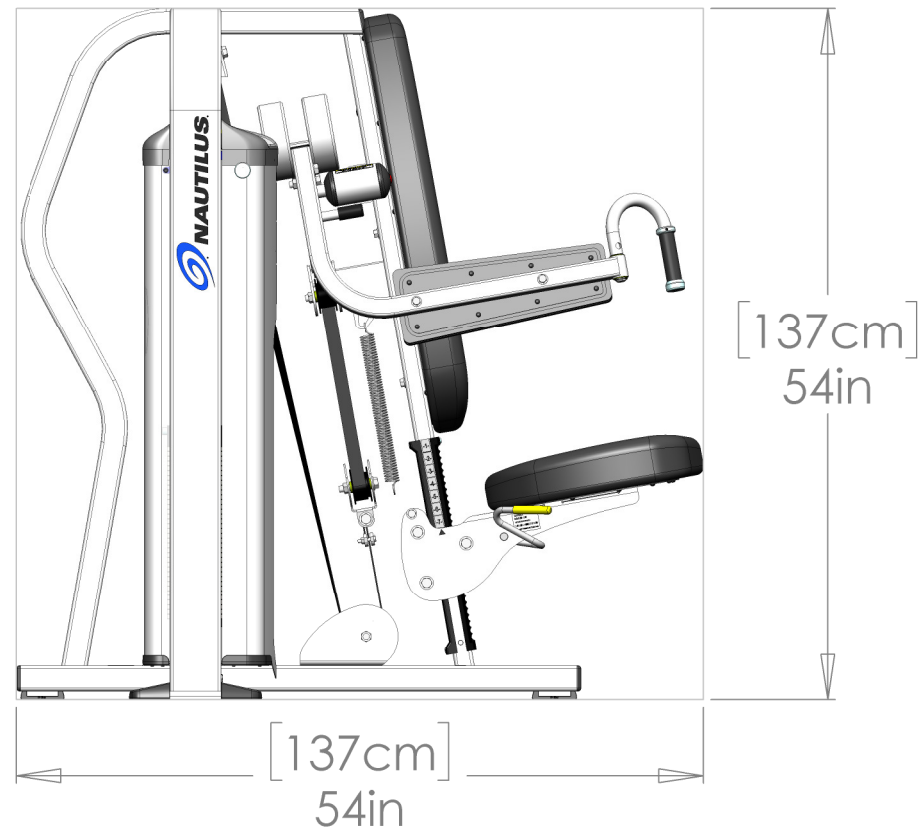
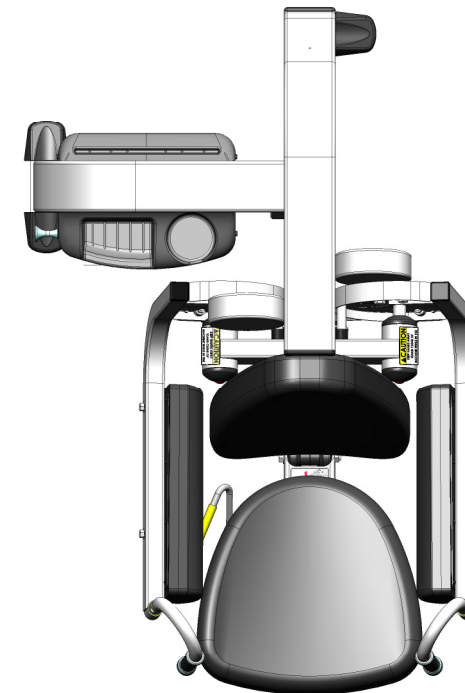
www.medfitsystems.com

Size	Bolt Torque Specifications	
	Grade 5 Torque (ft-lbs)	Grade 8 Torque (ft-lbs)
1/4-20	8	12
1/4-28	10	14
5/16-18	17	25
3/8-16	30	45
7/16-14	50	70
1/2-13	75	110
1/2-20	90	120
5/8-11	150	220
5/8-18	180	240



Customer Service & Parts 800/ 235-2233
General Parts Requests: parts@medfitsys.com
Warranty Field Service Requests: servicerequest@medfitsys.com
Med-Fit Systems, Inc. 800/ 831-7665

www.medfitsystems.com



EVO LATERAL RAISE
with Pivoting Handles
S9LRPH
REV F